

DETERMINATION OF THE TENSILE PROPERTIES OF SPECIMENS WITH SMALL DIMENSIONS

MERJENJE TRDNOSTNIH LASTNOSTI S PREIZKUŠANCI MALIH DIMENZIJ

Djordje Dobi¹, Eva Junghans²

¹IMT Ljubljana, Lepi pot 11, Slovenia

²TUEV-Nord e.V., Hamburg, Germany

Prejem rokopisa – received: 1999-11-13; sprejem za objavo – accepted for publication: 1999-11-22

In practice it happens that not enough material is available in order to extract standard tensile specimens. This is especially the case when welded joints like laser welds or explosive clad joints have to be characterised. Similar problems appear in case of failures of components where not enough material for investigation is available. Up to now indirect solutions were used. Yield strength and tensile strength were obtained by conversion calculations of measured hardness profiles. These conversions contain errors. Furthermore, important information concerning the deformation behaviour is lost. In this contribution the test technique of mini flat tensile specimens with measuring area of 1 mm² is discussed, from the extracting process on up to measuring the elongation directly on the specimen. The discussed testing device is protected by Patent DE 197 44 104 A1 and Patr.Reg.No.9800255 SLO.

Key words: material testing, tensile specimens, mini flat tensile specimens, mechanical properties, welded joints

Zgodi se, da za merjenje trdnostnih lastnosti ni na voljo dovolj materiala za izdelavo standardnih nateznih preizkušancev. Ta problem je še posebej aktualen pri karakterizaciji varjenih spojev, narejenih z novimi tehnologijami (lasersko varjenje, eksplozijsko varjenje itd.), kjer so posamezne cone vara zelo ozke in lahko govorimo le bolj o liniji spajanja. S klasičnimi nateznimi preizkušanci v takšnem primeru seveda ne moremo izmeriti profila mehanskih lastnosti preko varjenega spoja. Podobno velja tudi pri analizi vzrokov različnih poškodb strojnih delov in komponent, kjer imajo lahko ostanki tako majhen volumen, da ne omogočajo izdelave dovolj velikih nateznih preizkušancev in zato mehanskih lastnosti materiala tudi ne moremo neposredno izmeriti. Pri opisanih težavah so si do sedaj pomagali posredno, namreč z merjenjem profilov (mikro)trdot in preračunavanjem izmerjenih vrednosti v napetost tečenja oziroma v trdnost materiala. Zlasti preračunavanje v trdnost materiala pa je lahko povezano z znatnimi napakami, pa tudi nobenih podatkov o duktilnosti materiala (raztezek, kontrakcija) pri tem ne pridobimo. V prispevku je zato predstavljen mini natezni ploščati preizkušanec preseka 1mm², odvzemanje materiala za izdelavo in sama izdelava takšnega preizkušanca ter način preskušanja, pri katerem se kljub miniaturizaciji meri raztezek neposredno na preizkušancu. Del naprave, ki služi merjenju raztezka je tudi ustrezno patentno zaščiten (DE 197 44 104 A1, P-9800255 SLO).

Ključne besede: preizkušanje materiala, natezni preizkušanci, miniploščati natezni preizkušanci, mehanske lastnosti, zvarjeni spoji

1 INTRODUCTION

In practice the conversion of properties is popular, the most common one is the conversion of hardness values into tensile properties. Some frequently offered reasons for such conversions are "not enough material", "no suitable testing device available" or "to save money". If tensile properties are needed, these reasons are not acceptable, because in this case "mini"- or "microtensile" specimens may be used^{1,2,3,4}. The tensile properties can not be reduced simply to the terms: yield strength, tensile strength and Young's modulus, because only the entire stress-strain curve adequately depicts the complete tensile behaviour. Such information is required for engineering defect assessment procedures and FE-calculations.

2 THE PROBLEMS WITH CONVERTED HARDNESS VALUES AS SUBSTITUTE FOR REAL TENSILE PROPERTIES

By converting hardness values into tensile properties only rather qualitative tensile properties can be obtained.

The tabulations given in older standards were defined explicitly as "tabulations for comparison". Comparison within the same testing method is generally accepted and makes sense, e.g. the comparison of hardness HB with HV or HRC. But conversion of hardness values into tensile strength, or even worse into yield strength, is incorrect and not allowed because within these two testing methods physically different damage processes occur.

It is quite simple to establish a mathematical correlation between hardness values and tensile strength if only a few material conditions or only steels belonging to the same grade are tested, which in practice is usually the case. Up to now, a systematic approach has been lacking because conversion and comparison with "real" tensile properties was usually only performed for those materials which were of concern to the corresponding authors. It is obscure to conclude generalising results from such comparisons and to declare them as a substitute for tensile testing. A literature survey showed that in particular for welded joints, which are a favourite area for such conversions because of one of the above

mentioned reasons, i.e. "not enough material", the performed comparison is based on only a few hardness indentations and on a few weld metal specimens (which - in the case of a small weld metal - may even contain HAZ or base metal).

An additional aspect that is often neglected is the fact that in contrast to real tensile tests, converted hardness values provide no information about the dependency of direction, e.g. the tensile strength longitudinal or transverse to the rolling or welding direction.

When converting one type of hardness value into another one, like e.g. converting HB to HRC, limitations and possible problems have to be considered⁵. Some time ago it became fashionable to obtain properties which have to be determined in "expensive" experiments by converting the results obtained from "cheaper" experiments.

For example, in⁶ it is claimed that not enough of the weld metal is available in order to extract standard specimens, therefore hardness values are converted into yield strengths. The conversion used from⁷, which is actually only valid for special conditions, is used while the conditions demanded are not given. The results obtained from this conversion provide an input parameter for a defect assessment procedure, which actually demands stress-strain properties in terms of yield strength, tensile strength, Young's modulus and strain hardening coefficient.

Another example can be seen in⁸, where the fracture toughness K_{IC} is determined by the conversion of hardness values.

According to testing standards, for a correct determination of hardness in a pure base material with an uncertainty less than e.g. +/- 5 %, 18 indentations have to be performed and evaluated if the testing load equals 1 N or higher⁵. If the testing load is smaller, more indentations are demanded. In order to obtain a statistically sound "tensile strength" from a hardness conversion, even more hardness indentations would be necessary.

Actually, in the surveyed literature, in not every case were the required number of indentations for the base material provided. In⁶ a "tensile strength" and even a "yield strength" are derived from a handful of hardness indentations.

It is understood that for in-service structures, materials for specimens cannot always be extracted and that not for all structures spare material is reserved, especially if they have been built years ago. But one has to consider that the results of conversions may produce significant errors, e.g. about 20% in¹⁰. The question is, whether FE-calculations or defect assessments based on such conversions are sufficient and can be trusted, and who will take the responsibility for the predicted life of a structure, which is assessed with converted hardness values. Finding mathematical correlations between hardness values and "real" tensile strength is no problem,

but generalising those results is dangerous, especially if evidence is scarce.

Present standards like ASTM, for certain reasons, do not provide conversion tabulations from hardness into tensile strength.

Hardness, tensile and impact testing were among the first methods used in order to characterise the failure behaviour of a structure. As a result of failures, which could not be explained by these methods, fracture mechanical investigations taking into account an existing crack have been developed.

Today some conversions from notch impact toughness into fracture toughness, J-Integral or COD have been established. They are usually performed in cases when fracture toughness testing is accompanied by problems.

Well-established institutions exist, which invest considerable time and effort in verifying these conversions. They would have spared these efforts if "quick-and-easy-to-do" hardness measurements were sufficient.

As long as verification is not sufficient, the data base is quite small and the laboratory does not have its own tests for comparison and verification, one should stick to the "real" experiments as suggested in¹¹.

3 MANUFACTURING OF MINI FLAT TENSILE SPECIMENS

Typical areas for the determination of tensile properties with mini flat tensile specimens are given in the following^{1,12}:

- Determination of gradients in properties, e.g. for HAZ or segregation;
- Testing of semi-finished products with small cross section;
- Determination of material properties if only small amounts of material are available, e.g. failure analysis;
- Determination of material properties in the case of small weld geometry, e.g. a laser weldment;
- Testing of radiated material with the aim of keeping the amount of irradiated material as small as possible;
- Mechanical behaviour of microstructure in micro-components.

The common type of mini flat tensile specimen, shown in **Fig. 1**, was developed by^{12,13}. The dimensions are: specimen width 2 mm, thickness 0.5 mm, gauge length L_0 - depending on the testing device - 9 or $5,65 \cdot \sqrt{S_0}$ mm (S_0 = cross section area). In **Fig. 1** a modification, with the specimen width being 1 mm, is shown too. By extracting these specimens with spark erosion cutting a sectioning distance of 0.6 mm can be achieved. This is a great advantage, in comparison with extraction by machining, especially when gradients in mechanical properties have to be determined.

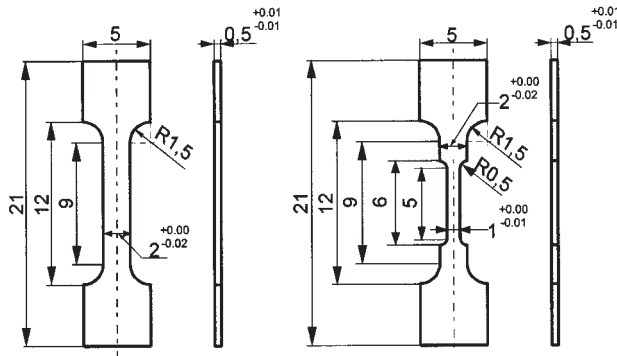


Figure 1: Mini flat tensile specimens
Slika 1: Mini natezni ploščati preizkušanci

For the characterisation of welded joints, specific information is necessary, as shown in Fig. 2. A welded joint consists of a single or two different types of base material (MAT1 and MAT2) and heat affected zones (HAZ1 and HAZ 2) and of the weld metal (WM). Depending on the welding process the weld metal width and the width of the HAZ located between weld metal and uninfluenced base metal is narrow or wide. Before extracting a "bar" from a welded joint (e.g. by spark erosion cutting) the exact position in the welded joint has to be determined as well as its length (MBL), height (MBH) and width (MBB), Fig. 2. The height may enclose the thickness of the base metal plate.

By etching the surface of the bar, the locations of weld metal and the heat affected zone(s) are determined, which helps to decide where to extract "mini specimen bars". In Fig. 3 various extraction positions for mini specimen bars are given. The selection is carried out in accordance with the position significant for the following assessments. In Fig. 3 an identification marking for the separate specimens is also depicted: A notch, diagonal to the specimens length, is machined into the specimen's head. Thus the exact position of every single specimen can be determined after the specimens have been extracted, even after testing them. The sectioning of a mini specimen bar is shown in Fig. 4: the first spark erosive cut is performed at a significant place, e.g. a

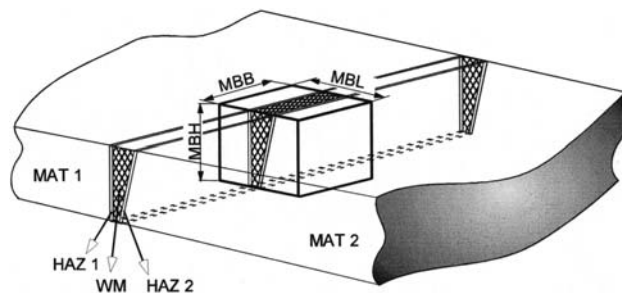


Figure 2: Welded joint consisting of base materials 1 and 2, HAZ 1 and 2, and weld metal; Extraction of bar
Slika 2: Izrez bloka iz zvarjenja

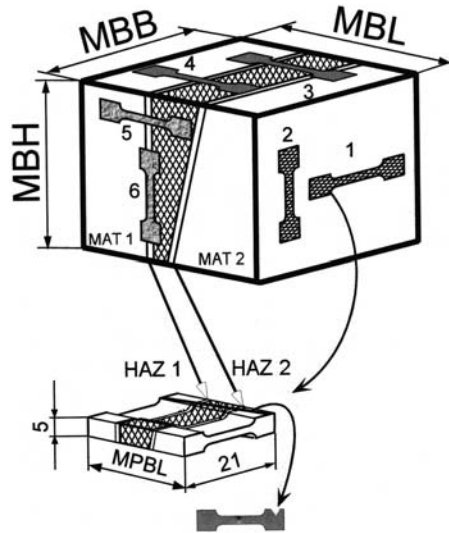


Figure 3: Various extraction positions for mini specimen bars
Slika 3: Različne možnosti izrezov mini blokov

fusion line or the HAZ. In the following the neighbouring specimens are sliced off along the entire gradient. With a known diameter of the wire used for spark erosion (it should be as thin as possible) the specimen position can be traced which is important for determining a gradient in mechanical properties. Keeping the heat input as low as possible, and sufficient cooling, are necessary in order to keep the influence resulting from heat input as low as possible.

4 TESTING OF MINI FLAT TENSILE SPECIMEN

For correct testing it is necessary to have an appropriate holding and testing device. Holding and

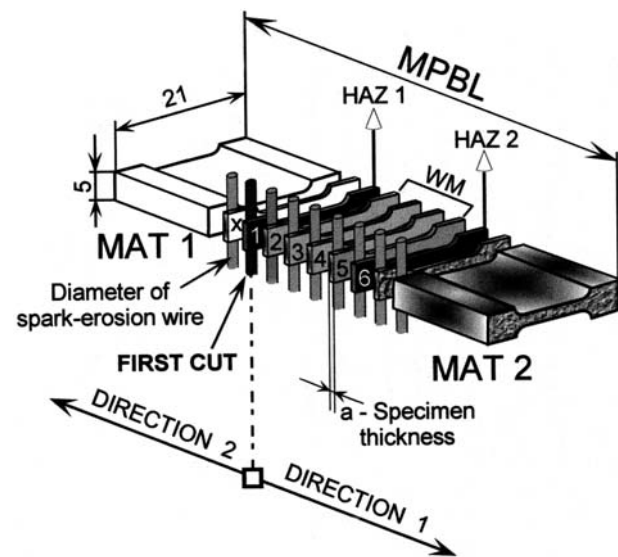


Figure 4: Sectioning of mini specimen bar
Slika 4: Razrez mini bloka

testing devices have been developed for various specimen geometries. For several testing procedures (J, COD) it is of major concern to measure the elongation, e.g. in order to obtain the stress-strain curve for a tensile test.

Measuring elongation on small specimens like mini flat tensile specimen is associated with a specific problem: the space where a measuring device could be mounted is quite small, the measuring devices commonly used for specimens with "standard" size are not applicable to the mini flat tensile specimens. Therefore, instead of measuring the real elongation of the specimen's gauge length the elongation is measured over a larger base/distance, e.g. the stroke of the cross head. Among the measuring devices available, especially for small gauge lengths, no type is capable of measuring strains up to e.g. 80%.

A further problem is an appropriate holding device for such small specimens. Of the commonly used holding devices several are time-consuming, clumsy or may even lead to results containing errors as it was comprehensively discussed in¹. The most serviceable method is to hold the specimen by round pins at its shoulders. In¹, three different methods to measure elongation were applied while using the holding device designed with round pins. The comparison proved that the closer the measuring base was placed to the real specimens gauge length, the more accurate were the results. The main results obtained from the different methods, **Fig. 5**, are given in **Fig. 6**.

4.1 Stroke of cross head

The stroke of the crosshead is measured, e.g. with a linear variable transducer mounted on the frame of the machine, method "A" in **Fig. 5**. In this case the measured elongation encloses everything between the specimen and the crosshead.

4.2 Measurement at the distance of the specimens shoulders

Measuring method according to "B" is to be preferred to "A" because the elongation is measured closer to the specimen, i.e. at the holding device. In this case a clip-on-gauge was applied. The gauge length is given by the distance between the centres of the round pins, which is identical to the radius of the specimen shoulder.

4.3 Elongation measured directly on the specimen

With method "C" the elongation is measured directly on the specimen, **Fig. 5**. This is the only method which satisfies the requirements according to standards for testing of common (standard) specimens. A method for realising this method is given in². With these method the elongation can be measured according to the standards¹⁴ for a proportional specimen with the gauge length being defined with the initial measuring length L_0 :

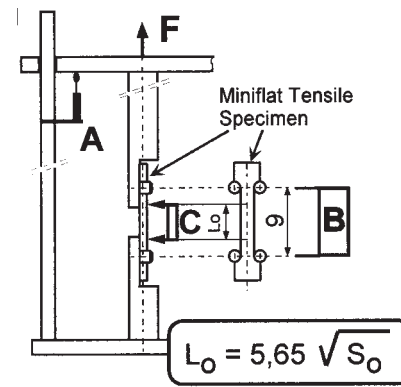


Figure 5: Different testing methods of mini flat tensile specimens
Slika 5: Različne metode preizkušanja mini preizkušancev

$$L_0 = 5.65 * \sqrt{S_0}$$

The stress-strain curves obtained with the methods A, B and C for a spring steel are compared quantitatively in **Fig. 6**. With method C the linear-elastic regime depicts the highest slope of all three curves. Comparison with standard round tensile specimens, tested according to standards, revealed that with method C the best coincidence of the slopes obtained from the round tensile specimen and the mini flat tensile specimen can be achieved, i.e. with method C the obtained stress-strain curve is the most accurate one. The largest deviation was obtained with method A, because of the remote measuring base.

The comparison proves that for a correct stress-strain curve the elongation has to be measured directly at the specimen.

5 APPLICATION OF MINI FLAT TENSILE SPECIMENS

A suitable application of mini flat tensile specimens is a joint welded by explosive cladding, as it was performed in¹⁵. This weld is more of a cladding in

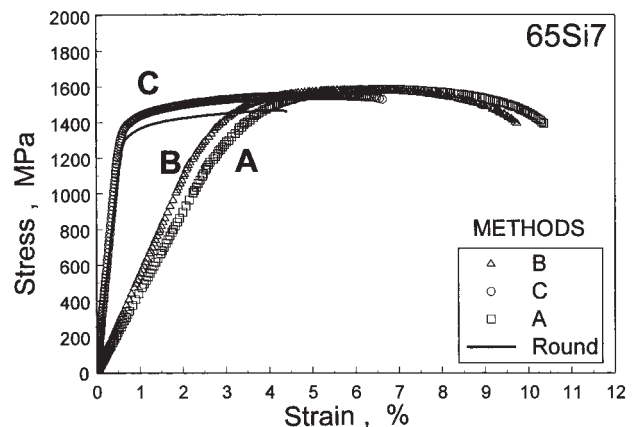


Figure 6: Comparison of stress-strain curves obtained with different testing methods

Slika 6: Primerjava različnih metod preizkušanj

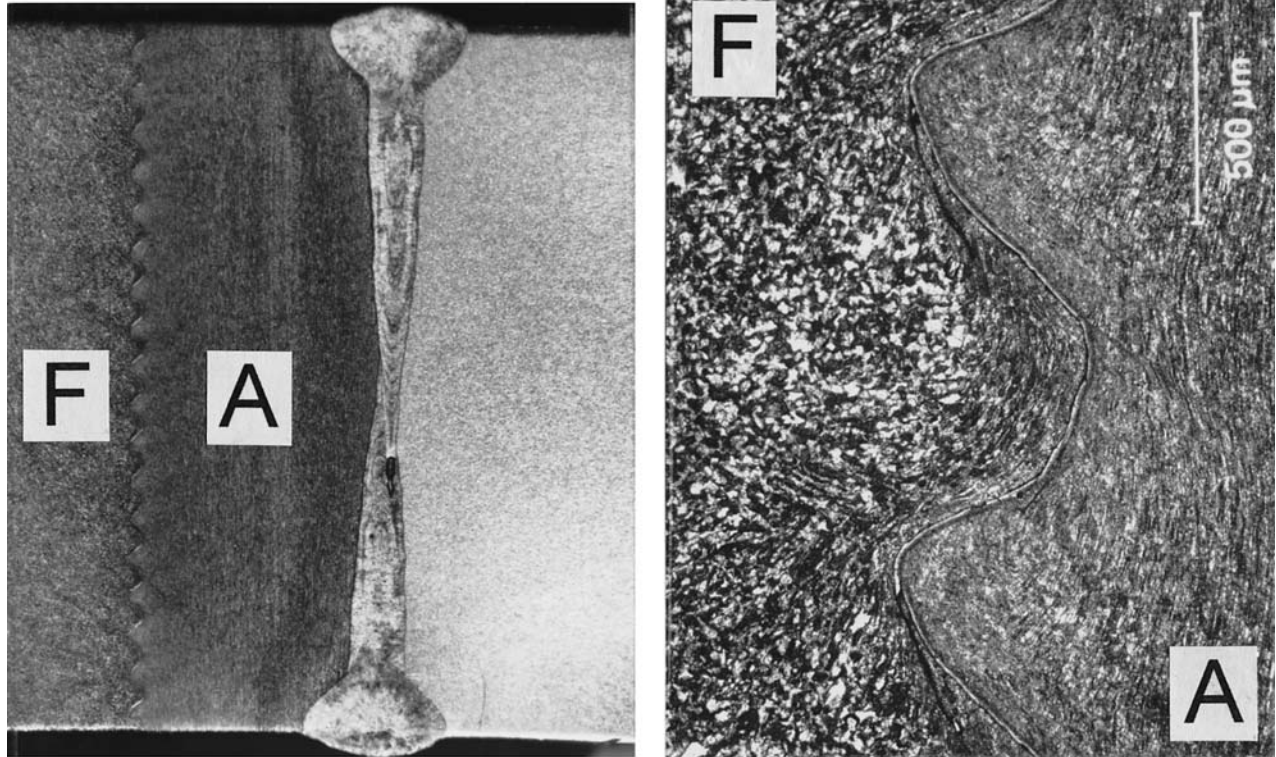


Figure 7a: Macrograph of the explosive cladded joint A-austenitic steel, F-ferritic steel

Figure 7b: Micrograph of the explosive cladded joint

Slika 7a: Makrostruktura eksplozijsko zvarjenega spoja A-avstenitno jeklo, F-feritno jeklo

Slika 7b: Mikrostruktura eksplozijsko zvarjenega spoja

comparison to other weld processes and contains actually no "visible" weld metal, only a fusion line. In this example, a cladded joint consisting of an austenitic steel of 5 mm thickness clad on a ferritic steel with 20 mm thickness was investigated. In addition, austenitic base metal was welded by laser welding to the cladded joint in order to have a larger volume (for extracting other specimen types).

From this welded joint a bar was extracted according to **Fig. 2**. Macro- and micrographs of the structure are given in **Figs. 7a and 7b**. The macrograph depicts the regular wavelike fusion line, **Fig. 7a**.

Fig. 7b depicts the plastic deformation of the microstructure near the fusion line. Both materials were subjected to large plastic deformation, with the austenitic steel having the larger deformed region.

From the bar, three mini specimen bars were extracted from different joint positions ("levels") by spark erosion, **Fig. 8**. Each bar represents one test series, i.e. one level of height in the joint. From these mini specimen bars the mini flat tensile specimen themselves were sliced according to **Fig. 4**. The position of the first cut of each of the three mini specimen bars was shifted. For the first series, the first cut was performed at the fusion line. For the second series, the cut was shifted by about half the thickness of the specimen. In this way the gradient in the mechanical properties can be obtained

more precisely, i.e. the local distance between the obtained properties is smaller.

The stress-strain curves obtained for the austenitic part clearly exhibit the gradient in mechanical properties, **Fig. 9**.

Towards the fusion line the obtained maximum stresses are larger and the obtained strains are smaller. The maximum stresses are 2 times higher than for the austenitic base metal. This is caused by the significant plastic deformation which leads to intense strain

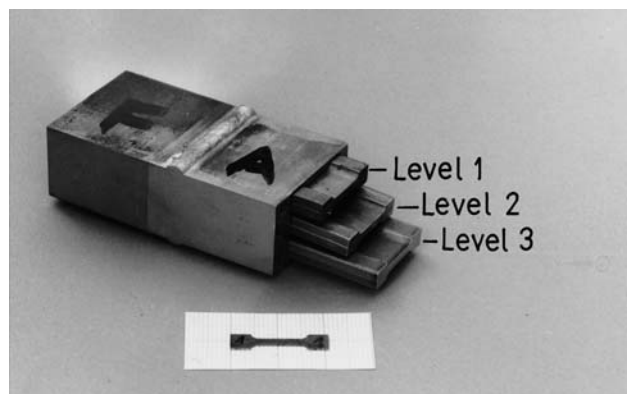


Figure 8: Three mini specimen bars extracted from different levels within the explosive cladded joint

Slika 8: Trije nivoji izrezov mini blokov iz eksplozijskega zvarjenja

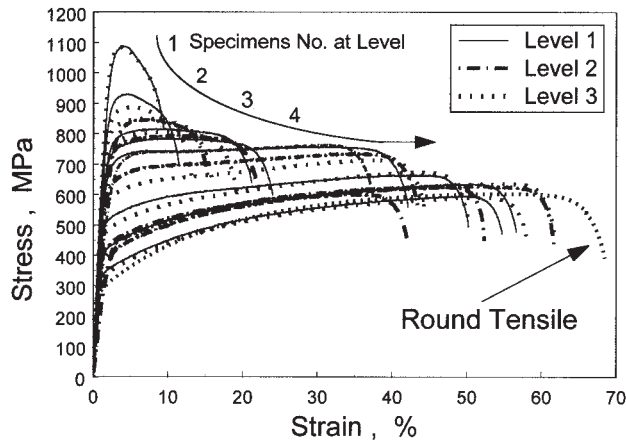


Figure 9: Stress-strain curves obtained from mini flat tensile specimens for the austenitic part

Slika 9: Krivulje napetost-deformacija za avstenitno območje

hardening on the austenitic side. With increasing distance from the fusion line, the obtained stresses are lower and the strains larger. For comparison, the stress-strain curve obtained from a standard round tensile specimen (testing diameter 8 mm) is plotted in **Fig. 9**, which depicts the good agreement between mini flat tensile specimens and standard tensile specimens.

6 SUMMARY

In this paper problems associated with the conversion of material properties and with the testing of mini flat tensile specimens are discussed. The reasons specified for the conversions, mostly from hardness values into another material property, e.g. yield strength and tensile strength, are "saving costs and time", and / or "not enough material available for testing". These conversions are spreading like an avalanche, aided with computational help. It is understood by the authors, that cases exist where no material for testing is available, but one has to bear in mind that properties obtained by conversion are no substitute for real mechanical properties and in critical cases only orders of magnitude can be obtained. The literature survey showed that in some cases the conditions and limitations for conversions were not considered, and that quite often general results were concluded from a small number of hardness indentations, sometimes for welded joints not even one real tensile test had been conducted. One has to make an appeal not to advertise these conversions because industry might try to substitute the real experiments. A real material property like e.g. yield strength or tensile strength can be obtained only by real tensile testing. An enhanced (i.e. most accurate) defect assessment is only possible when (among other things) a complete stress-strain curve is available (which unfortunately, even today, is not usually supplied with the acceptance test of a steel). If one wants to take advantage of new steel grades and proper assessments,

which will both lead to real saving, one should not reduce the initial testing which will provide valuable input parameters.

In this paper it was shown that it is possible to extract and to test small specimens in an effective and economic manner and to achieve the correct results. A new method, which allows the measuring of elongation directly at the specimen is discussed and compared with other methods. An example of an application using an explosive cladded joint, exhibiting a strong gradient in the mechanical properties, is shown.

The results show that with the new testing device, tensile properties of small regimes can be obtained with good quality.

7 REFERENCES

- Dobi, D., Junghans, E.: "Miniflachzugproben prüfen - richtige Probenentnahme und zuverlässige Prüfverfahren (Testing of mini flat tensile specimens - correct specimen extraction and accurate testing methods)", *Materialprüfung*, 41 (1999) 11-12, 445-450
- Dobi, D., Junghans, E.: "Vorrichtung zur Erfassung einer Dehnung insbesondere kleiner Proben (Device for measuring elongation especially on small specimens)", Patent DE - 197 44 104 A1, Deutsches Patentamt, 1999; Patent SI -9800255, Patentamt der Republik Slowenien, 1999; AZ 1998 1983/98, AD 30.09.1998 Patentanmeldung Schweiz
- Dobi, D., Junghans, E., Mackel, H.: "Neues Konzept zur Prüfung von Miniflachzugproben (New concept for testing of mini flat tensile specimen)" Accepted improvement proposal No.231 at GKSS research centre
- Höhöfer, A., Schneider, H., Aktaa, J.: "Vorrichtung zur Mikrozugprüfung mit integrierter Dehnungsmessung (Device for micro-tensile testing with integrated strain measurement)", 3. Statuskolloquium des Projektes Mikrosystemtechnik, 2 und 3 April 1998 im Forschungszentrum Karlsruhe, pp.213-214
- Schmidt, W.: "Was muß bei Umwertung von Härtewerten beachtet werden? (What has to be concerned for the conversion of hardness values?)", *QZ* 25 (1980) 3, 76-79
- Rak, I., Kocak, M., Gliha, V., Gubelj, N.: "Fracture Behaviour of Over-Matched High Strength Steel Welds Containing Soft Root Layers", *Proc. of the 2nd International Symposium on Mis-Matching of Interfaces and Welds*, Reinsdorf 24-26 April 1996, Edited by K.-H. Schwalbe and M. Kocak, GKSS Research Centre, Geesthacht, 1997, pp.627-641
- Pargeter, R. J.: "Yield strength from hardness- a reappraisal for weld metal", *The Welding Institute Research Bulletin*, November 1978, pp 325-326
- Murty, K. L., Mathew, M. D., Wang, Y., Shah, V. N., Haggag, F. M.: "Nondestructive Determination of Tensile Properties and Fracture Toughness of Cold Worked A36 Steel", *International Journal of Pressure Vessels and Piping*, 75 (1998) 831-840
- Dobi, D., Junghans, E.: "Mechanische Eigenschaften von Schweißnähten, ermittelt an Miniflachzugproben (Mechanical properties of welded joints, determined with mini flat tensile specimens)", *Werkstoffprüfung* 1996, 5. und 6. Dezember 1996, Bad Nauheim, S. 561-570
- H. Eckardt, M Otto: "Vergleichswerte Härte/Zugfestigkeit und Härtevergleichstabellen für Vergütungsstähle (Comparing values for hardness/tensile strength and comparing lists for hardness for heat treatable steels)", Bericht der Physikalisch-Technischen Bundesanstalt, PTB-F10, Braunschweig, Feb. 1992
- Weiler, W., et al.: "Härteprüfung an Metallen und Kunststoffen (Hardness measurement on metals and plastics)", Band 155 Kontakt & Studium - Werkstoffe, Expertverlag 1990

- ¹² Klausnitzer, E., Aßmann, H.D., Papuschek, F.: "Bestimmung von Werkstoffkennwerten mit Proben kleiner Abmessungen und deren Anwendbarkeit (Determination of mechanical properties with small sized specimens and their application)". *Werkstoffprüfung* **1985**, 3. Dezember **1985**, Bad Nauheim, S. 409-416
- ¹³ Klausnitzer, E.: "Entwicklung eines Verfahrens zur Entnahme und Prüfung von Mikro-Flachzugproben aus der Wärmeeinflußzone von Schweißverbindungen (Development of a technique for extraction and testing of micro flat tensile specimen from the heat affected zone of welded joints)", *Materialprüfung* **18 (1976)** 11, 411-416
- ¹⁴ N.N. Zugversuch, Teil 1: "Prüfverfahren (Raumtemperatur)(Testing methods for room temperature)", EN 10002/1, **1991**
- ¹⁵ Keydel, T.: "Bruchmechanische Bewertung explosionsgeschweißter Stähle (Fracture mechanical assessment of explosive cladde joints)", Diplomarbeit Universität Rostock, Rostock **1995**